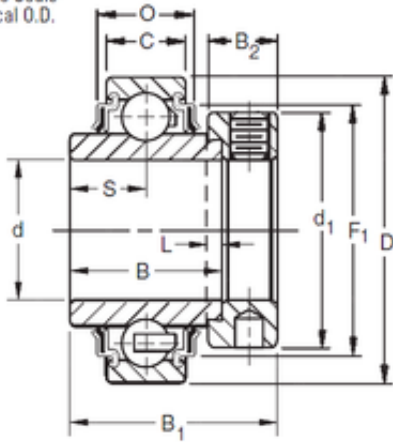




BEARING MANUFACTURING DE MEXICO, S.A.D...

KRR Two Seals
Cylindrical O.D.



22,225 mm x 52 mm x 34,92 mm TIMKEN 1014KRR Insert Bearings Cylindrical OD

Bearing No. 1014KRR

Size	22.225x52x34.92 mm
Bore Diameter	22,225 mm
Outer Diameter	52 mm
Width	34,92 mm
d	22,225 mm
D	52 mm
B	34,92 mm
C	15 mm
P	15,82 mm
O	16,66 mm
d1	38,1 mm
B1	44,1 mm
B2	13,5 mm
L	4 mm
S	17,5 mm
F1	45,19 mm
Weight	0,272 Kg
Basic dynamic load rating (C)	15,8 kN

1014KRR Bearing 2D drawings and 3D CAD models